



The new generation of aluminium landing gears

The landing gear module CA, designed in high-quality aluminium, is ideally suited to tank and silo vehicles and for all applications that put a strong emphasis on a low weight. In addition to the tried-and-tested module quality it has many more impressive features:

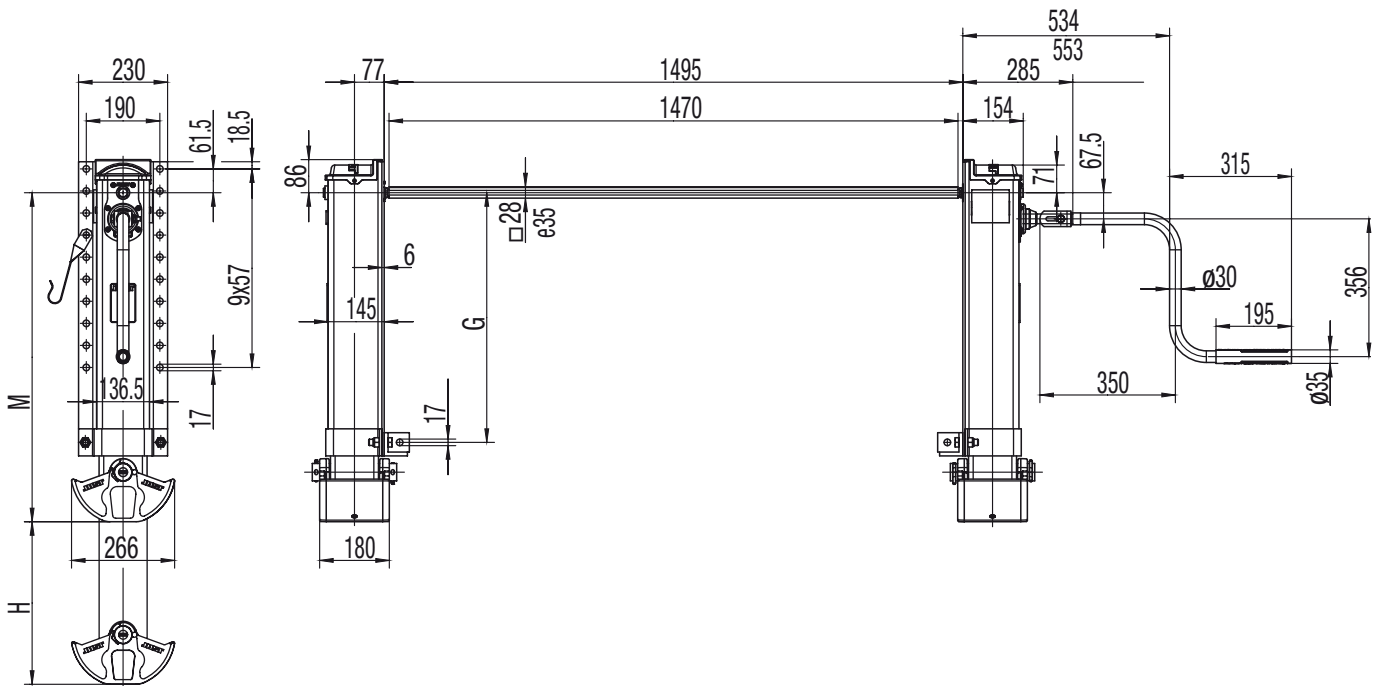
- Weight-optimised
- Patented module drive on the inside
- Low maintenance – due integrated lubricant cartridge – no need to lubricate the spindle
- Continuous back plate for high variability during installation
- Innovative A-foot with a large contact area and a particularly long drift
- Also available with two side operation and special crank

Modul CA

Technical Specification

Drift A-foot: 160 mm

Contact area A-foot: 85 mm x 180 mm



Order no.	Foot	Weight per Kit (kg)	Plate of bolting	M (mm)	H (mm)	G (mm)
CA101420000	A	65,0	full length	900	470	695
CA102420000	A	62,5	full length	850	420	645
CA103420000	A	60,0	full length	800	370	595
CA104420000	A	57,5	full length	750	320	545

Accessories:

- Mounting kit **JS E020.001**
- Intermediate layer for corrosion protection **JS2118-0003**
(for the joints between the support and the vehicle frame)
- See Module B for cranks and connection shafts
(must be ordered separately and are supplied loose)

Note

- Aluminium landing gears are delivered in untreated form (natural aluminium)
- Not suitable for heavy-duty use, e.g. in ro-ro transport

Technical Data (per set)

Characteristic	Value
Lifting capacity	24 t
Static load	50 t
Lift per turn of handle	
- Low gear	0,9 mm
- High gear	15,0 mm
Crank force at 16t super imposed load	210 N

Member of **JOST**-World

JOST, Germany Tel. +49 6102 295-0, jost-sales@jost-world.com, www.jost-world.com